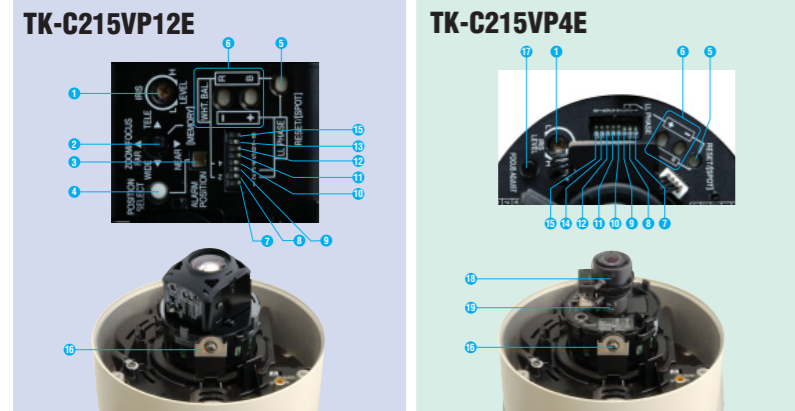


Specifications

	TK-C215VP12E	TK-C215VP4E
Camera		
Signal system	PAL	PAL
Image device	1/4" IT CCD	1/4" IT CCD
Number of effective pixels	440,000	440,000
Pick-up area	3.6 mm (H) × 2.7 mm (V)	3.6 mm (H) × 2.7 mm (V)
Scanning system	15.625 kHz (H), 50 Hz (V)	15.625 kHz (H), 50 Hz (V)
Sync system	Internal, Line lock	Internal, Line lock
Video output	Composite video signal: 1.0 V (p-p), 75 ohms (BNC)	Composite video signal: 1.0 V (p-p), 75 ohms (BNC)
Horizontal resolution (typ.)	540 TV lines	540 TV lines
Video S/N ratio	50 dB	50 dB
Minimum illumination (typ.)		
Colour mode	1.3 lx F1.6, AGC on	0.9 lx F1.3, AGC on
B&W mode	0.8 lx F1.6, AGC on	0.6 lx F1.3, AGC on
AGC	on/off	on/off
Backlight compensation	on (1 pattern)/off	on (1 pattern)/off
White balance	ATW/Manual	ATW/Manual
Easy day/night	Yes	Yes
Focus adjust	Yes	Yes
LENS		
Focal length	f = 3.8 mm to 45.6 mm, 12x vari-focal	f = 2.8 mm to 10 mm, 3.6x vari-focal
Max aperture ratio	F1.6 to F2.7	F1.3 to F3.0
Iris	DC iris	DC iris
Field of View	52° (H) × 39° (V) to 4.5° (H) × 3.4° (V)	73° (H) × 54° (V) to 20° (H) × 15° (V)
Angle adjustment range (Horizontal/Vertical/Rotation)	350° / ± 70° / ± 175°	350° / ± 70° / ± 175°
GENERAL		
Power supply	AC 24V (50/60 Hz), DC 12V	AC 24 V (50/60 Hz), DC 12 V
Power consumption	550 mA	340 mA
Operating temperature < Recommended >	-10 °C to 50 °C (0 °C to 40 °C)	-10 °C to 50 °C (0 °C to 40 °C)
Dimensions	ø 160 mm × 125 mm (H)	ø 160 mm × 125 mm (H)
Weight	approx. 1.3 kg	approx. 1.2 kg

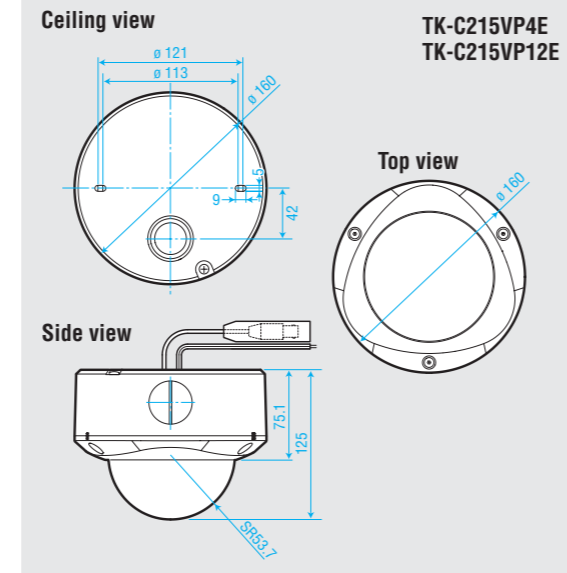
Controls, connectors and indicators



- ① [IRIS LEVEL] Iris level adjustment ② [ZOOM/FOCUS, MEMORY] Zoom/Focus adjustment switches, position memory button
 ③ [ALARM POSITION] Status indication LED ④ [POSITION SELECT] Position select button ⑤ [RESET/SPOT] Reset/Spot button
 ⑥ [R/B, +/-] R/B, +/- adjustment button ⑦ [AGC] Auto gain control switch ⑧ [SELECT] WHT.BAL./PHASE setting switch
 ⑨ [SYNC] Synchronization system selection switch ⑩ [WHT.BAL.] ATW/Manual selection switch ⑪ [BLC] Backlight compensation switch ⑫ [DAY/NIGHT] Easy day/night switch ⑬ [ALARM] Alarm input mode selection switch ⑭ [RESERVED] Not used (set to off) ⑮ [RESET/SPOT] Reset/Spot correction selection switch ⑯ Tilt lock screw ⑰ [FOCUS ADJ] Focus adjustment switch ⑱ Focus adjustment ring ⑲ Zoom adjustment ring

Dimensions

Unit: mm



Design and specifications subject to change without notice.

JVC®

DISTRIBUTED BY



■ Hachioji Business Centre of Victor Company of Japan, Ltd. has received ISO14001 Certification for environmental management and ISO9001 Certification for quality assurance management.

Printed in Japan
 KCN-1841 CETKC215YT0607

*JVC® is the trademark or registered trademark of Victor Company of Japan Limited.

JVC®

The Perfect Experience

FIXED COLOUR DOME CAMERA

TK-C215VP series

TK-C215VP12E 12x variable focal lens

TK-C215VP4E 4x variable focal lens

Vandal Resistant Structure
IP66 Compliant
540TV Lines
Easy Day/Night



- 1/4" IT CCD with 440,000 effective pixels
- Outdoor-ready vandal resistant structure (IP66 Compliant)
- Triple axis rotation system for wide lens adjustment : horizontal : 350°, vertical : ± 70°, rotation : ± 175°
- Easy installation mechanism
- 540TV lines of horizontal resolution
- Super LoLux™ sensitivity
TK-C215VP12U : 1.3 lx (color), 0.8 lx (B&W)
TK-C215VP4U : 0.9 lx (color), 0.6 lx (B&W)
- Easy Day/Night function

- Alarm zoom function (TK-C215VP12E only)
- Optional heater unit allows camera to meet -30°C operation
- Full featured security camera
 - Easy focus adjustment
 - Extra monitor video output(RCA inside)
 - Automatic Gain Control(AGC) on/off
 - Automatic tracking white balance(ATW)and manual modes 2300K to 10000K
 - Backlight compensation(BLC) on/off
 - Sync systems : INT/Line Lock
 - AC 24V/DC 12V operation

JVC's new TK-C215VP series camera was designed to satisfy various installation environments such as outdoor building entrances like schools and colleges, and trouble spots like parking lots etc. In addition, the new TK-C215VP series provides high performance images with 540TV lines of horizontal resolution and easy installation mechanism.

Choose from the following two models to meet your specific needs



TK-C215VP12E

- 12 times High resolution 540 TV lines
- Vandal resistant

This is a digitally magnified sample image at the tele angle position. The 12x optical zoom lens will actually provide clear and crisp image in 540 TV lines.




TELE angle WIDE angle



TK-C215VP4E

- 4 times High resolution 540 TV lines
- Vandal resistant




TELE angle WIDE angle

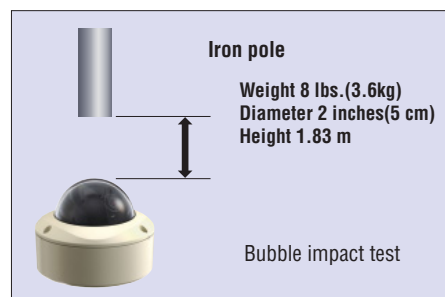
540TV lines Horizontal resolution

TK-C215VP series achieves a high picture quality using a 1/4" interline transfer CCD and advanced JVC's digital processing technologies. TK-C215VP will provide accurate colour reproduction and high signal to noise ratio.



Vandal resistant

TK-C215VP series come with vandal resistant housing using strong aluminum die-cast chassis and poly carbonate dome cover. As an example, TK-C215VP camera will pass the test procedures shown to the right.



IP66

Considering outdoor usage demands, TK-C215VP series was designed to conform with IP66 which is a global standard. The definition of water proof is "water projected from a nozzle as a powerful water jets against the enclosure from any direction shall have no harmful effects". The dust proof means that there is no dust penetration.

Easy installation

With an all aluminum die-cast camera case and specific poly carbonate cover, these TK-C215VP cameras can withstand various rough environments while having a tough vandal resistant structure. While it is tough on vandals and adverse environment conditions, this camera is user friendly. The following pictures illustrate the easy installation process of the new JVC TK-C215VP series.

Mounting procedures



1. Pull the camera unit by loosening the screws.*1
2. Mount the camera base to the ceiling using conduit or electrical box.*2
3. Slide the camera unit into the camera base and gently push until locks-in with a click.
4. Using a screwdriver secure the camera unit to the base by tightening the 2 screws.
5. Adjust the angle and focus testing with the dome cover.
6. After lens setup, install silica gel bag and fit the inner cover.



Image samples on ceiling panel

- Ceiling mount using electrical conduit (pipe)

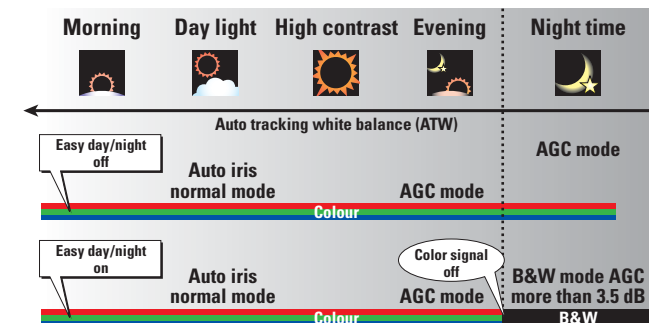


7. Install and secure dome cover using supplied Allen hex wrench. Installation completed!

*1: These procedures showed by photos for leaflet and actually camera base and dome cover connected by a fall prevention wire.
*2: After wiring, video connectors should be inserted into camera unit.

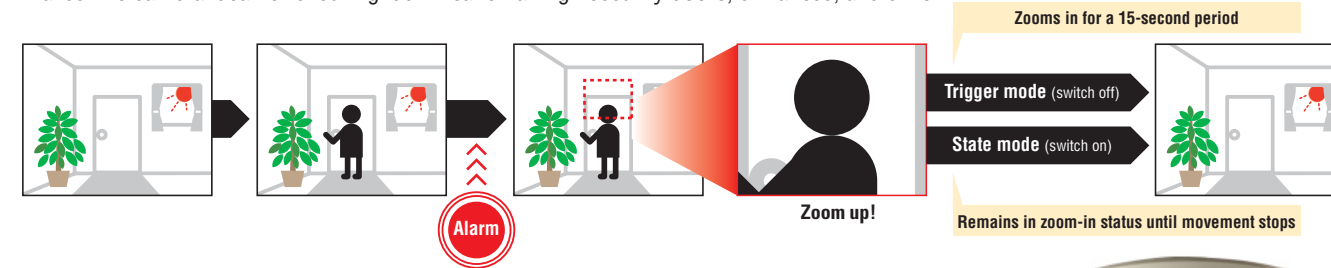
Easy day/night function

The TK-C215VP series automatically use colour mode when the object is bright, and B&W mode when it is very dark. In B&W mode, AGC remains active to ensure high performance even under low-light conditions. Easy day/night function assures around-the-clock optimum imaging performance.



Alarm zoom function using optical zoom (TK-C215VP12E only)

The TK-C215VP12E comes with a 12x lens and an alarm input interface. When an object appears in the field of view, an alarm signal is activated from the alarm sensor installed and the camera engages to automatically zoom into the center of the image. Once the object has left the field of view and the alarm signal is deactivated, the camera automatically returns back to its original position. This function makes this camera ideal for ensuring identification at high security doors, entrances, and exits.



Triple axis rotation system for wide lens adjustment

The TK-C215VP's lens angle can be freely adjusted within the following range: 350° (horizontal), ±70°(vertical) and ±175° (rotation). Since images do not appear inverted even when the lens angle is set at a rotation of ±175°, the camera can be installed virtually anywhere. Thanks to this outstanding lens angle adjustment mechanism, surveillance image quality will not be compromised regardless of where the dome camera is installed.

